

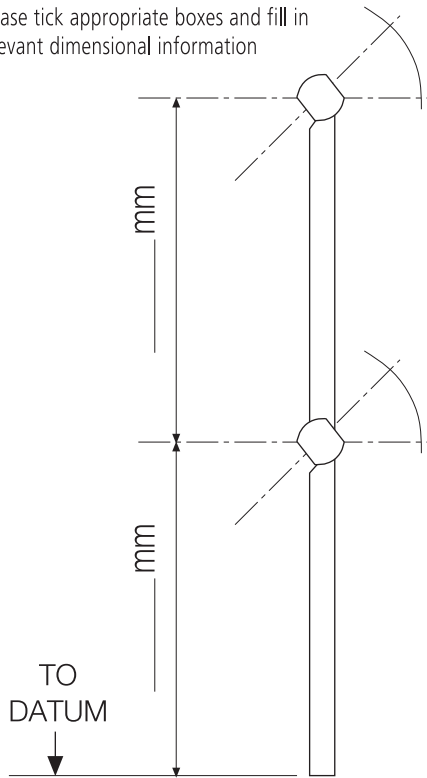
RAKED HANDRAIL STANDARDS

TO:

REF:

DATE:

Please tick appropriate boxes and fill in relevant dimensional information



- NUMBER REQUIRED _____
- RAKED AT _____ DEGREES
(WHEN _____ NUMBER L/HAND APPLICABLE) _____ NUMBER R/HAND
- SHANK DIAMETER _____ mm
- BALL DIAMETER _____ mm
- DRILLED TO SUIT _____ mm
DIAMETER HANDRAIL
- BASE THICKNESS (Refer DIM.A):
 12mm 15mm
 OTHER _____
- PRE VENTED YES NO
- FINISH -
 SELF COLOUR PRIMER PAINTED
 GALVANISED OTHER Please specify: _____

TYPES OF BASE

<p>RECTANGULAR FLAT BASE <input type="checkbox"/></p>	<p>HORIZONTAL SIDE PALM <input type="checkbox"/></p>
<p>RECTANGULAR RAKED FLAT BASE <input type="checkbox"/></p> <p>Base suits both 140 & 150mm fixing centres</p>	<p>LONG PALM <input type="checkbox"/></p>
<p style="text-align: center;">FIXING HOLES TO BE 18mm DIAMETER U.N.O.</p>	
<p style="text-align: center;">NO BASE REQUIRED (STICK ONLY) <input type="checkbox"/></p>	

COMMENTS